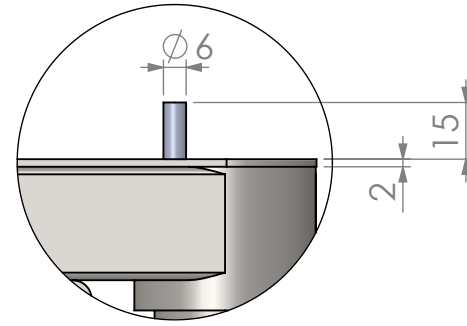
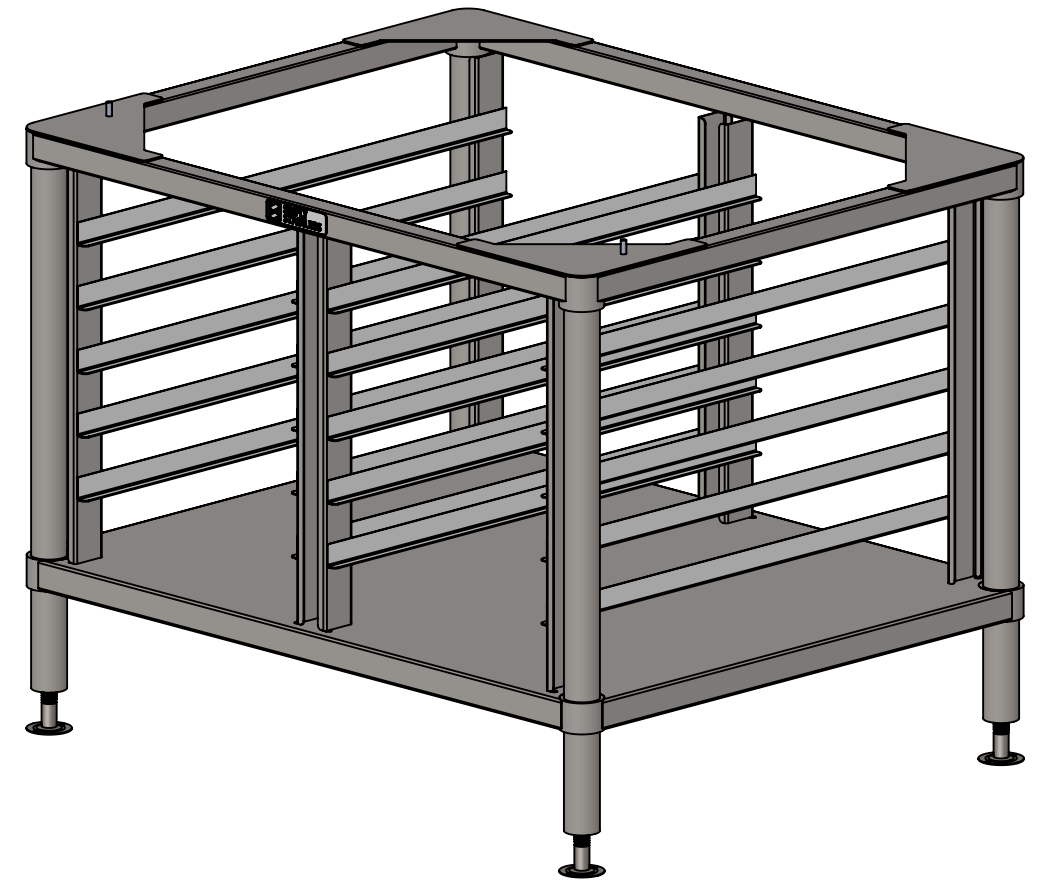


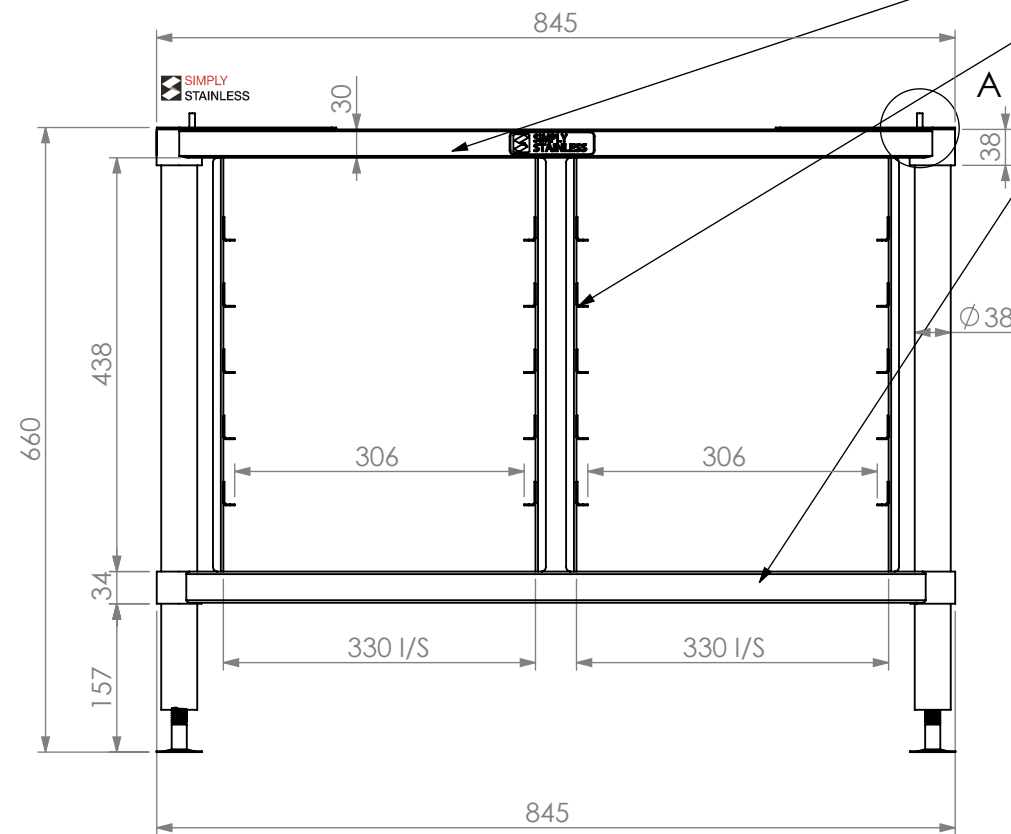
PLAN



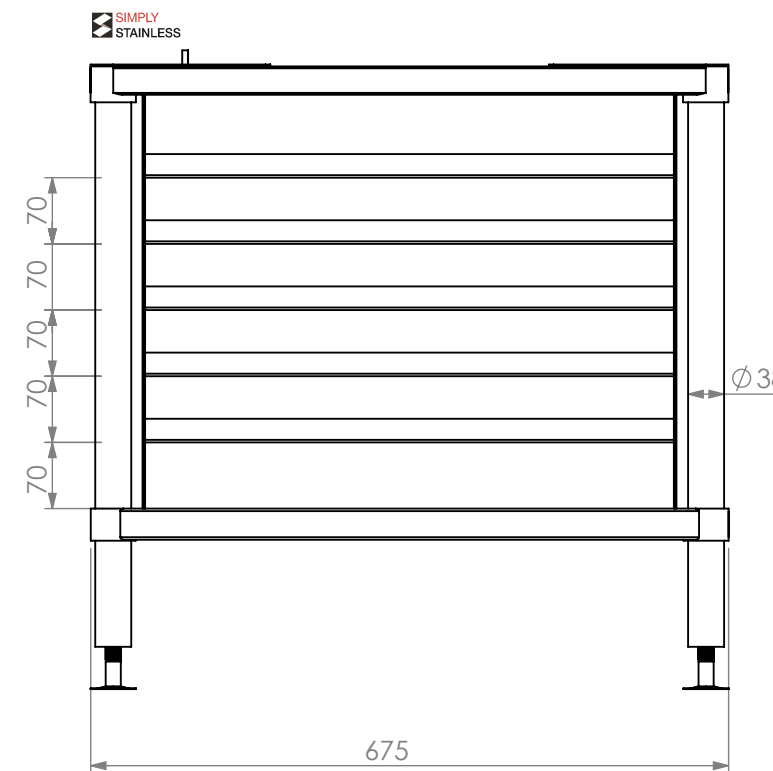
DETAIL A
SCALE 1 : 2



- FOOT MOUNT PLATE
- 30x30mm SQ TUBE
- CASSETTE FRAME
- UNDERSHELF



FRONT ELEVATION



SIDE ELEVATION

27-i-RATIONAL STAND

SIMPLY STAINLESS
 Modular Sinks, Tables & Shelving
 COPYRIGHT © 2022
 This drawing is the property of CI GROUP PTY LTD. Tradings as SIMPLY STAINLESS and it may not be copied, reproduced or modified in whole or in part without prior written permission of CI GROUP PTY LTD. SIMPLY STAINLESS reserves the right to change specification and design without notice.

27-i-RATIONAL STAND

SIZE: A3

SCALE : 1:8

CONSTRUCTION NOTES :

1. FOOT MOUNT PLATE MADE FROM 2.0mm STAINLESS STEEL.
2. LEGS MADE FROM Ø38mm STAINLESS STEEL ROUND TUBE.
3. TOP FRAME MADE FROM 30x30MM SQ TUBE STAINLESS STEEL.
4. UNDERSHELF MADE FROM 1.2mm STAINLESS STEEL.
5. FEET ARE ADJUSTABLE STAINLESS STEEL DISC SHAPED FEET.